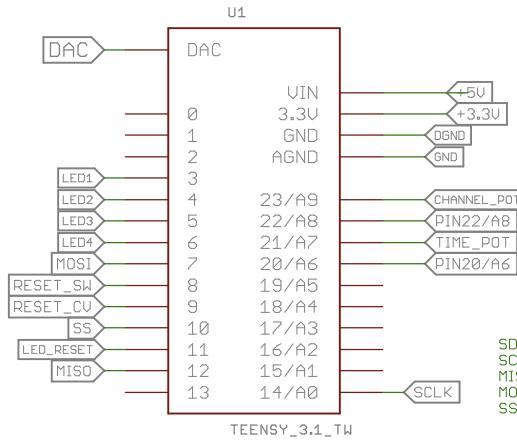


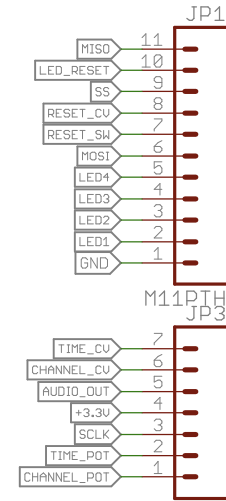
Optional reverse polarity protection  
 If not required, omit diodes and replace  
 fuses with jumper wire.  
 Don't get it the wrong way around!  
 Ferrites: 81-BL01RN1A1D2B or 623-2743001112LF

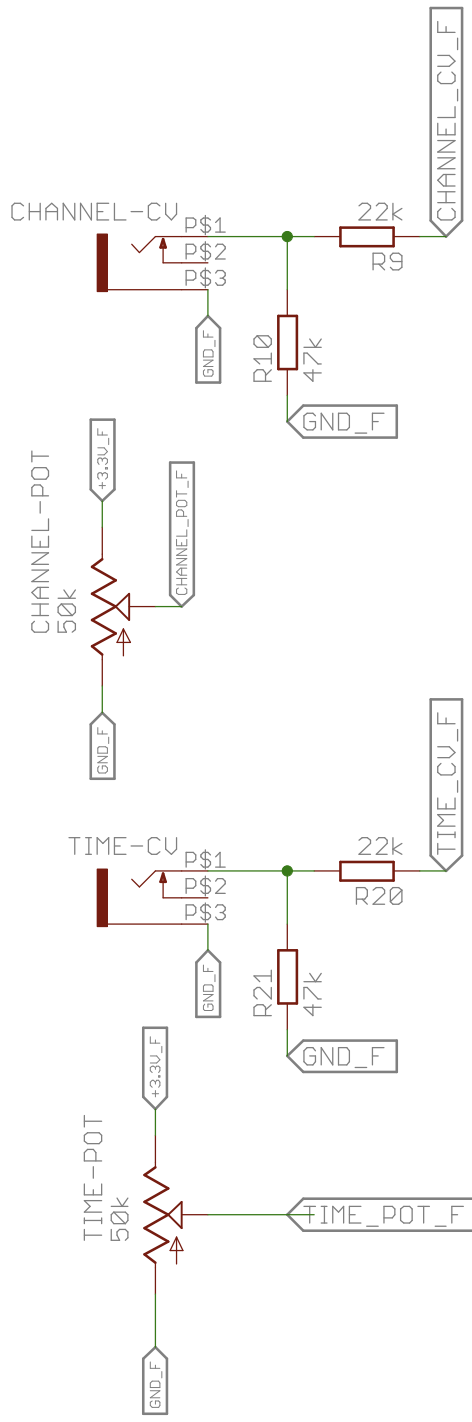


BACK = pover/teensy  
 FRONT = knobs & sockets  
 Front Board requirements:  
 +3.3v for pots & SD Card  
 GND  
 LED1  
 LED2  
 LED3  
 LED4  
 LEDReset  
 Reset Button

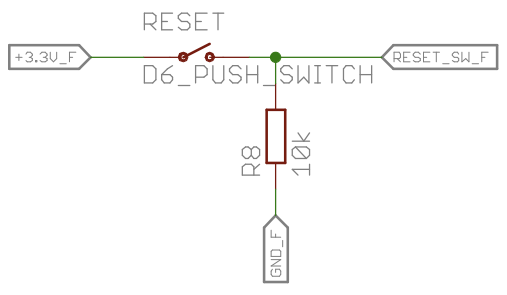
Reset CV  
 Time CV  
 Time Pot  
 ChannelCV  
 ChannelPot  
 SD - MISO  
 SD - MOSI  
 SD-CLOCK  
 SD-SS

SD Card Connections:  
 SCLK 14  
 MISO 12  
 MOSI 7  
 SS 10





ie D6R90 F1 LFS (Black, Round)



PJS008U-3000-0 microSD card holder

