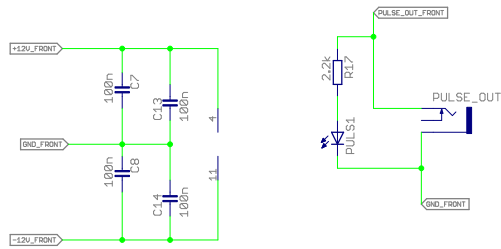
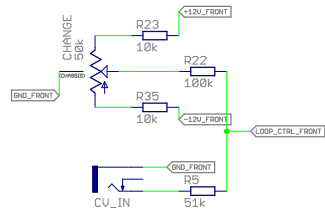
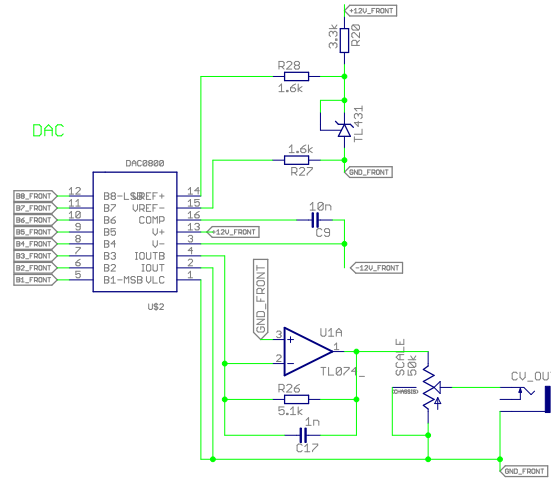


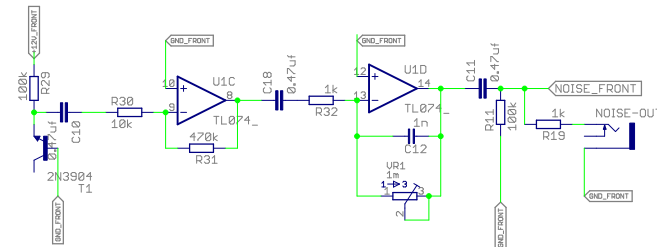
Randomised invert/loop switching



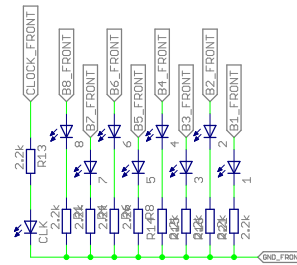
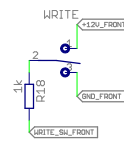
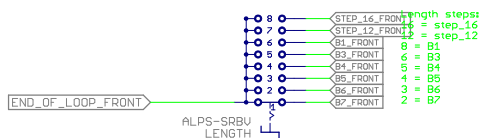
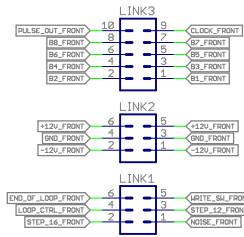
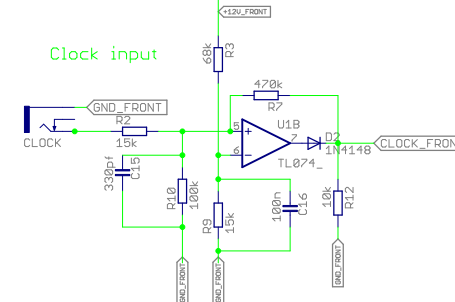
DAC



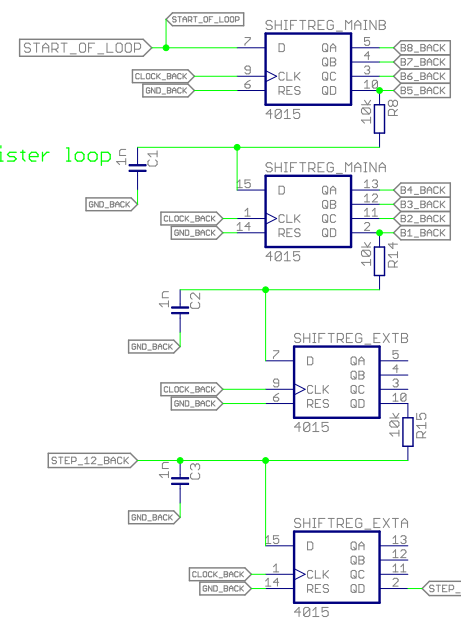
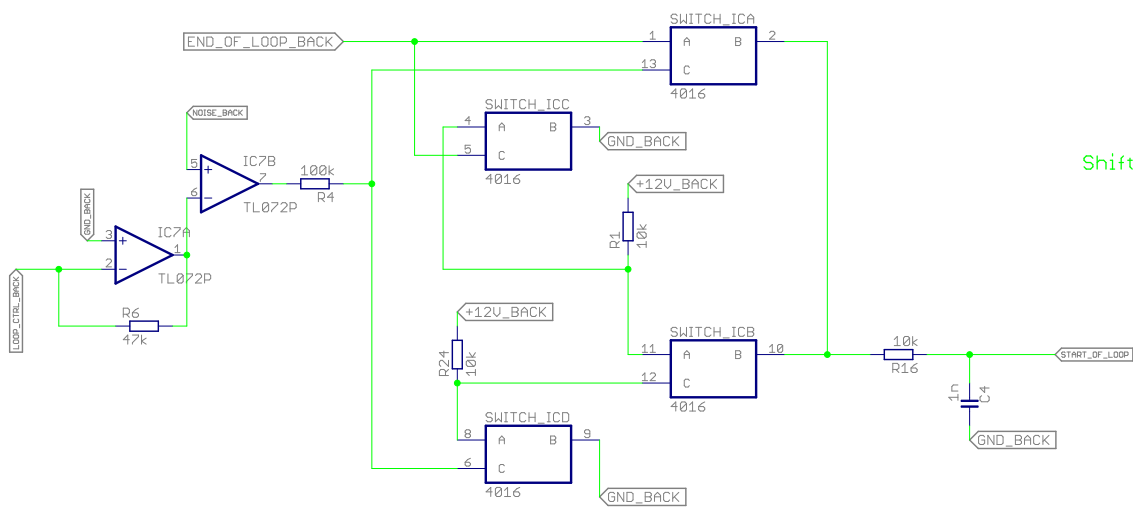
Noise Generator



Clock input

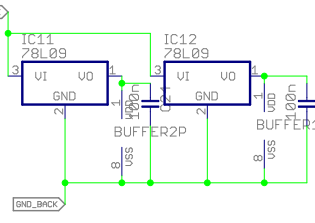
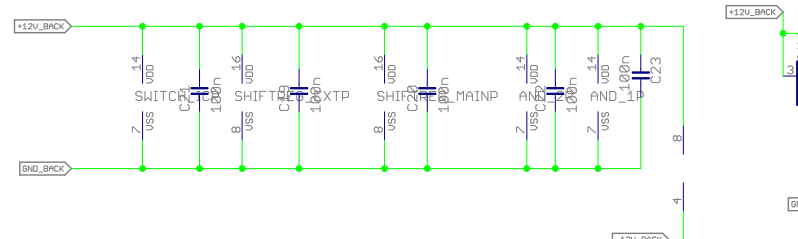


TITLE: TuringFront	
Document Number:	REV:
Date: 06/04/2016 08:38	Sheet: 1/1

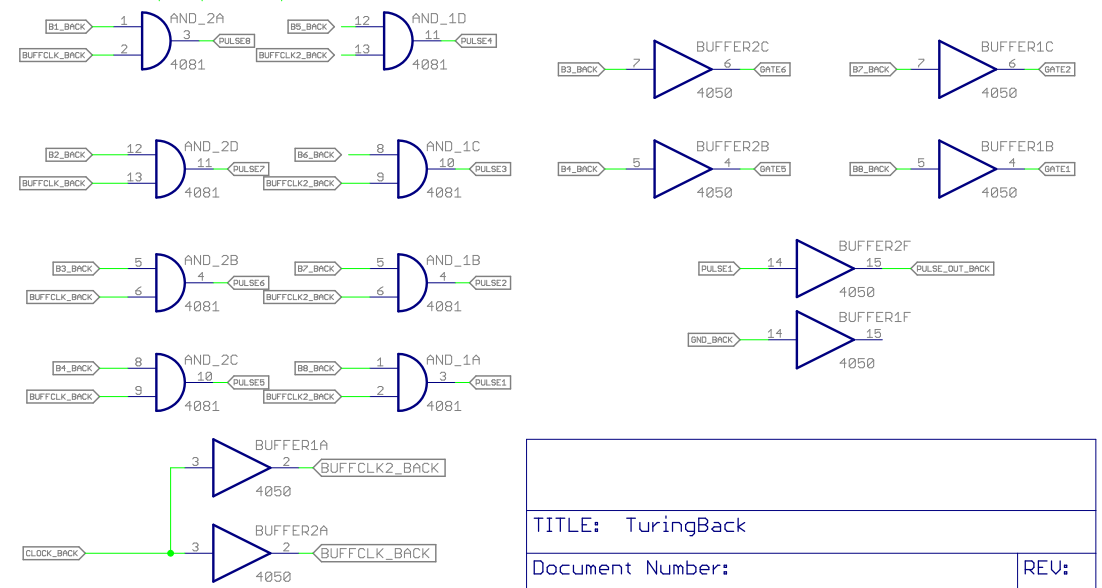


Shift register loop

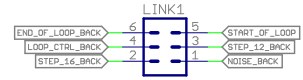
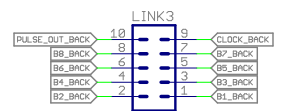
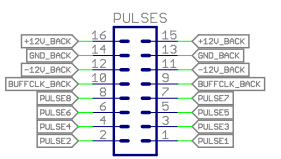
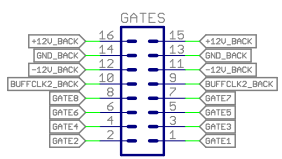
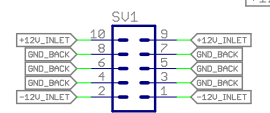
NB: Bit numbers are reversed at this point:  
Bit8 = first bit (left hand LED on main module becomes Pulse1 (Top output on expanders)



NB: Bit numbers are reversed at this point:  
Bit8 = first bit (left hand LED on main module) becomes Pulse1 (Top output on expanders)



Optional reverse polarity protection  
If not required, omit diodes and replace fuses with jumper wire.  
Don't get it the wrong way around!  
Ferrites: 81-BL01RN1A1D2B or 623-274300112LF



TITLE: TuringBack	
Document Number:	REV:
Date: 06/04/2016 08:44	Sheet: 1/1