

LPF > 500kHz AC coupling HPF < 0.02Hz
 V+ protection

Gain: 1x (0dB) to 100x (40dB)
 LPF > 300kHz

cc-by-sa

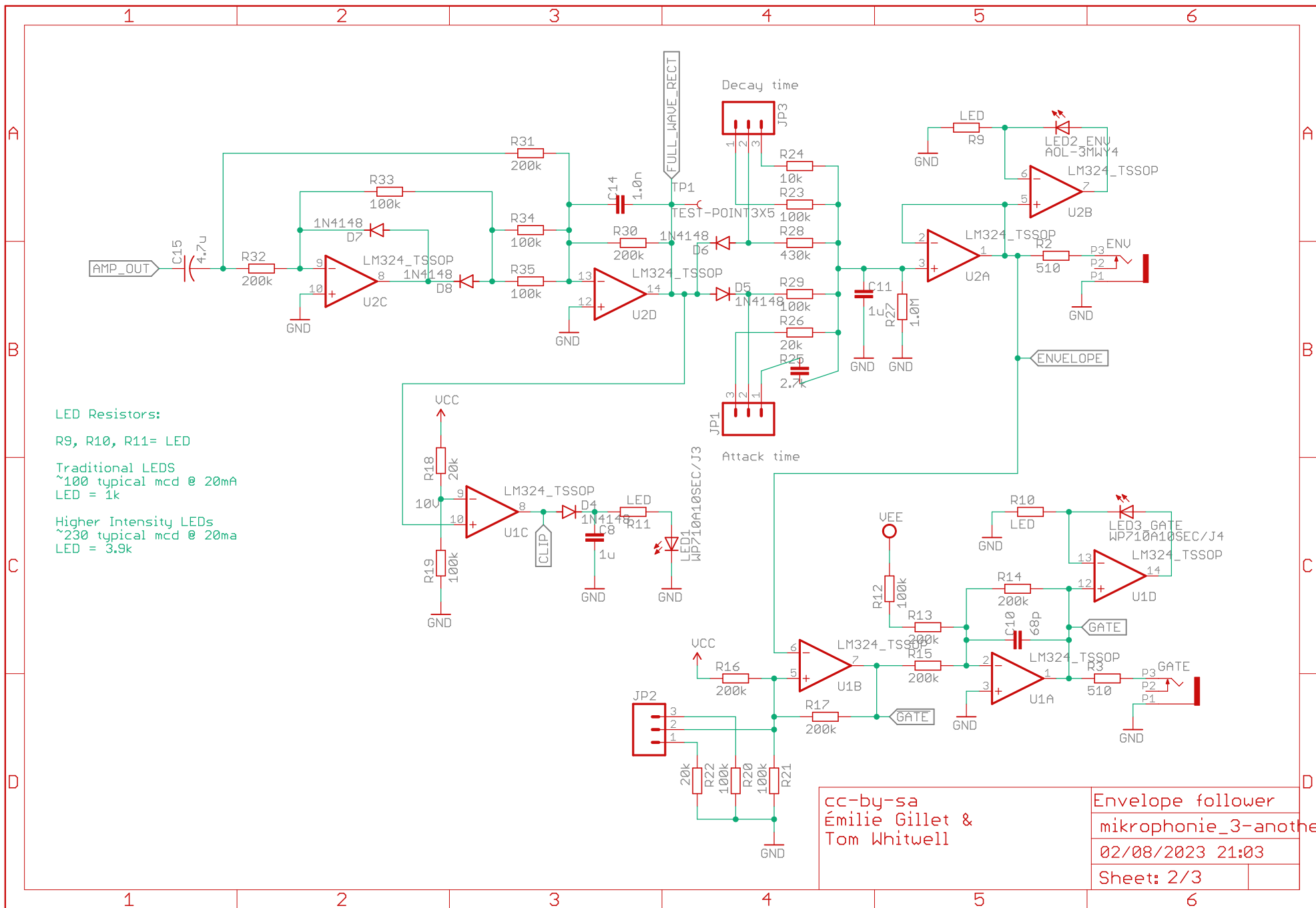
Émilie Gillet &
 Tom Whitwell

Input amplifier

mikrophonie_3-another0402

02/08/2023 21:03

Sheet: 1/3



LED Resistors:

R9, R10, R11= LED

Traditional LEDs

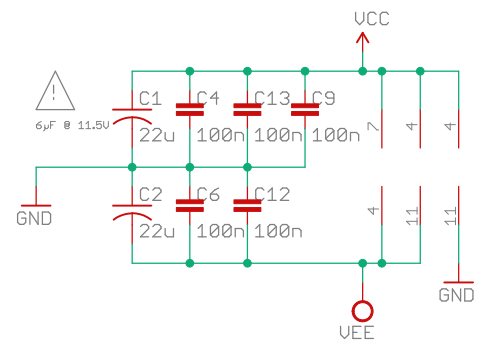
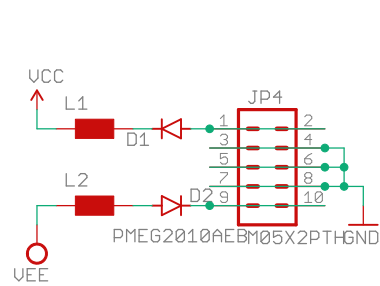
~100 typical mcd @ 20mA
LED = 1k

Higher Intensity LEDs

~230 typical mcd @ 20mA
LED = 3.9k

cc-by-sa
Émilie Gillet &
Tom Whitwell

Envelope follower	
mikrophonie_3-another0402	
02/08/2023 21:03	
Sheet: 2/3	



cc-by-sa
Émilie Gillet &
Tom Whitwell

Power supply	
mikrofonie_3-another0402	
02/08/2023 21:03	
Sheet: 3/3	